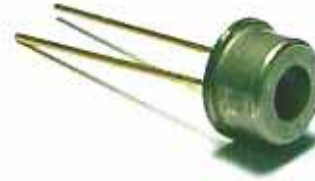


UV-A Sensor

GUVA-T11GD



- Features**
- Gallium Nitride Based Material
 - Schottky-type Photodiode
 - Photovoltaic Mode Operation
 - Good Visible Blindness
 - High Responsivity & Low Dark Current



- Applications**
- Full UV Band Monitoring
 - Pure UV-A Monitoring
 - UV Index Monitoring
 - Sterilization Lamp Monitoring

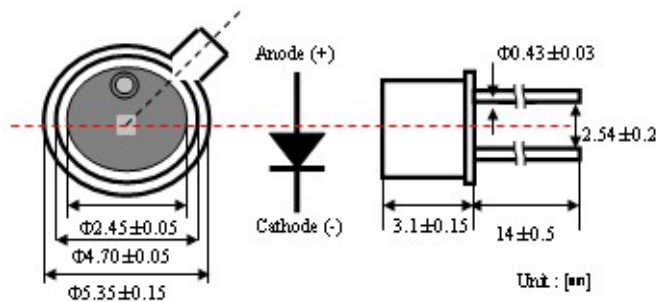
Absolute Maximum Ratings

Parameter	Symbol	Min.	Max.	Unit	Remark
Storage Temperature	T _{st}	-40	90		
Operating Temperature	T _{op}	-30	85		
Reverse Voltage	V _{r, max.}		5	V	
Forward Current	I _{f, max.}		1	mA	
Soldering Temperature	T _{sol}		260		within 10 sec.

Characteristics (at 25 °C)

Parameter	Symbol	Min.	Typ.	Max.	Unit	Test Conditions
Dark Current	I _d			1	nA	V _r = 0.1 V
Photo Current	I _{ph}		89		nA	UVA Lamp, 1mW/cm ²
Temperature Coefficient	I _{tc}		0.05		%/°C	UVA Lamp
Responsivity	R		0.18		A/W	λ = 350 nm, V _r = 0 V
Spectral Detection Range	λ	200		370	nm	
Breakdown Voltage	V _{BR}		10			I _r = 1 μA

Outline Diagrams and Dimensions



Responsivity Curve

